


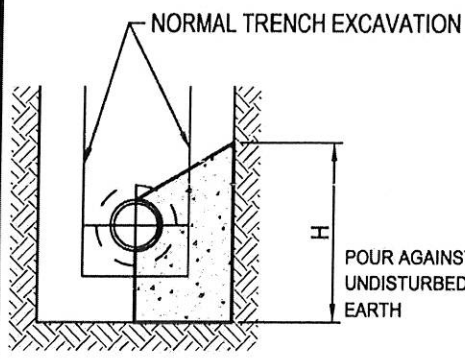
NOTE:
 IF UNSTABLE SOIL IS ENCOUNTERED, CONTRACTOR SHALL BRING THE ISSUE TO THE BSMWC'S ATTENTION BEFORE PROCEEDING FURTHER.

TYPICAL TRENCH

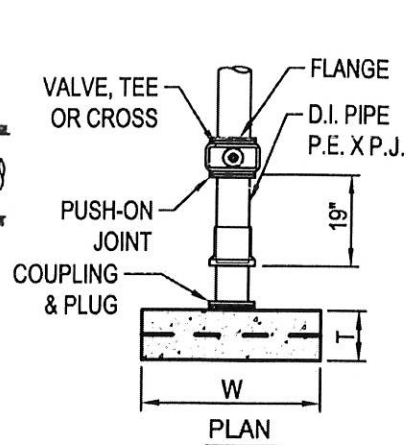
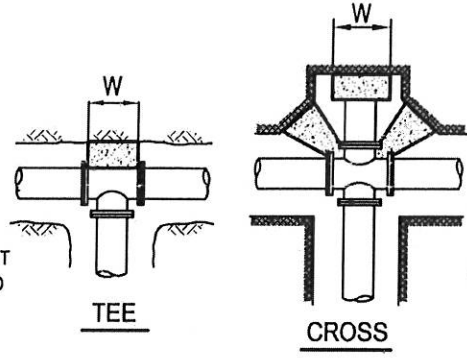
SCALE: NONE

N:\BELLEFLOWER\STANDARDS\W-9_TYPICAL_TRENCH.DWG (07-29-14 2:05:54PM)

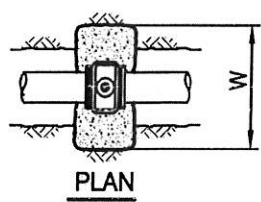
 <p>TOM COLEMAN EXECUTIVE DIRECTOR</p> <p>DATE _____</p>	<p>TYPICAL TRENCH</p>	<p>W-9</p>
---	-----------------------	------------



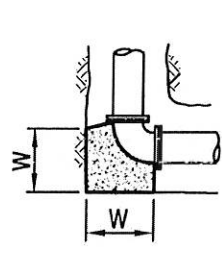
TYPICAL SECTION



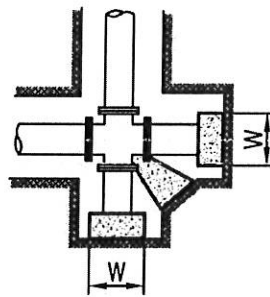
PLAN



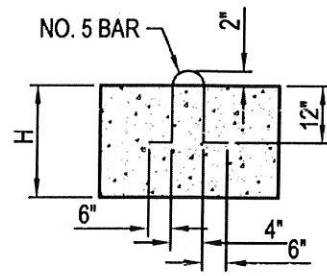
PLAN



ELBOW

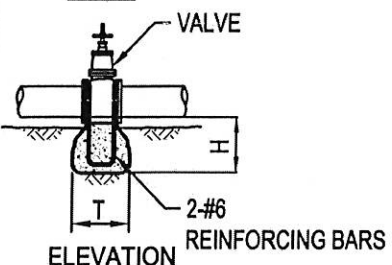


CROSS



ELEVATION

DETAIL OF PLUG AND THRUST BLOCK



ELEVATION

VALVE

VALVE AND PIPE SIZE	(W) WIDTH	(H) HEIGHT	(T) THICKNESS
4"	2'	1'-3"	12"
6"	3'	1'-6"	12"
8"	4'	2'-0"	14"
10"	5'	2'-4"	14"
12"	6'	2'-9"	15"


NOTES

1. THRUST BLOCKS ARE TO BE POURED AGAINST UNDISTURBED EARTH.
2. THE TEST PRESSURE IN THE PIPE SHALL BE 200 POUNDS PER SQUARE INCH.
3. THRUST BLOCK SIZES SHOWN ARE BASED ON 1500 POUNDS PER SQUARE FOOT BEARING CAPACITY. INCREASE SIZE WHERE 1500 PSF CANNOT BE OBTAINED.
4. GRAVITY BLOCKS SHALL BE SIZED FOR THE TEST PRESSURE WITH 10% SAFETY FACTOR.

CONCRETE THRUST BLOCKS

SCALE: NONE

N:\BELLEFOWER\STANDARDS\W-8_CONC_THRUST_BLOCK.DWG (07-29-14 2:01:38PM)

	TOM COLEMAN	EXECUTIVE DIRECTOR	<p>CONCRETE THRUST BLOCKS</p>	<p>W-8</p>
	DATE			

BASIC SEPARATION STANDARDS

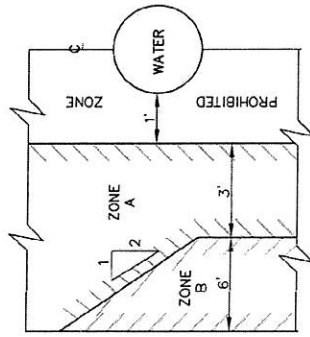
1. PARALLEL CONSTRUCTION: THE HORIZONTAL DISTANCE BETWEEN DOMESTIC WATER AND RECLAIMED WATER LINES AND SEWER LINES SHALL BE AT LEAST 10 FEET, OUTSIDE OF PIPE TO OUTSIDE OF PIPE.
2. PERPENDICULAR CONSTRUCTION (CROSSING): WATER LINES SHALL BE AT LEAST ONE FOOT ABOVE SEWER AND RECLAIMED WATER LINES WHERE THESE LINES MUST CROSS.
3. SPECIAL PROVISIONS: WHERE THE BASIC SEPARATION STANDARDS CANNOT BE ATTAINED ALTERNATIVE CONSTRUCTION CRITERIA ARE SHOWN BELOW.

GENERAL NOTES:

1. NO PIPE JOINTS SHALL BE PERMITTED WITHIN ZONE D. IT IS THE INTENT OF THESE REQUIREMENTS NO JOINTS SHALL OCCUR WITHIN ZONE C. IF THAT CANNOT BE ACCOMPLISHED, THE NEW LINE SHALL BE ENCASED FOR THE FULL LENGTH OF ZONE C.
2. SEWER FORCE MAINS SHALL NOT BE PERMITTED IN ZONES A THROUGH D.
3. THE MATERIALS OF NEW LINES AT CROSSINGS SHALL BE CONSISTENT WITH OTHER NEW MATERIALS I.E. STEEL ON A STEEL LINE.
4. THESE CONSTRUCTION CRITERIA APPLY TO HOUSE SEWER LATERALS THAT CROSS ABOVE A WATER MAIN, BUT NOT TO THOSE THAT CROSS BELOW A WATER LINE.

SITUATION:

LOCATION OF NEW SEWER & RECLAIMED WATER LINES TO EXISTING DOMESTIC WATER LINE.



PARALLEL CONSTRUCTION

IF ANY SEWER OR RECLAIMED WATER PIPELINES ARE TO BE CONSTRUCTED WITHIN ANY OF THE ABOVE INDICATED ZONES, SPECIAL CONSTRUCTION SHALL BE REQUIRED AS DESCRIBED BELOW.

ZONE SEWER

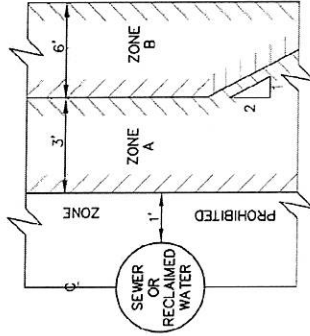
- DO NOT LOCATE ANY PARALLEL SEWER OR RECLAIMED WATER LINES IN THIS AREA WITHOUT A STATE AND LOCAL HEALTH DEPARTMENT APPROVAL.
- USE V.C.P. CLASS 200 PVC, OR D.I.P. WITH COMPRESSION JOINTS.
- USE D.I.P. WITH MECHANICAL JOINTS OR CLASS 200 P.V.C. - AWWA C900
- USE D.I.P. OR CLASS 200 P.V.C. - AWWA C900

ZONE RECLAIMED WATER

- DO NOT LOCATE ANY PARALLEL DOMESTIC WATER LINE IN THIS AREA WITHOUT STATE AND LOCAL HEALTH DEPARTMENT APPROVAL.
- USE D.I.P., WELDED CML & C STEEL OR CLASS 200 P.V.C. - AWWA C900
- USE D.I.P., WELDED CML & C STEEL OR CLASS 200 P.V.C. - AWWA C900
- USE D.I.P., WELDED CML & C STEEL OR CLASS 200 P.V.C. - AWWA C900

SITUATION:

LOCATION OF NEW DOMESTIC TO EXISTING SEWER & RECLAIMED WATER LINES.

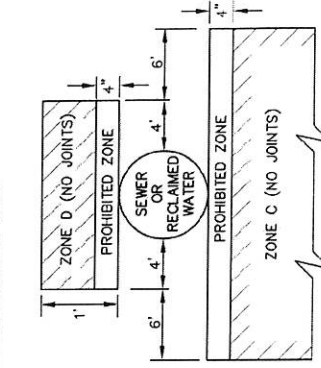


PARALLEL CONSTRUCTION

IF ANY WATER LINE IS TO BE CONSTRUCTED WITHIN ANY OF THE ABOVE INDICATED ZONES, SPECIAL CONSTRUCTION SHALL BE REQUIRED AS DESCRIBED BELOW.

ZONE DOMESTIC WATER (SEE GENERAL NOTE 3)

- DO NOT LOCATE ANY PARALLEL DOMESTIC WATER LINE IN THIS AREA WITHOUT STATE AND LOCAL HEALTH DEPARTMENT APPROVAL.
- USE D.I.P., WELDED CML & C STEEL OR CLASS 200 P.V.C. - AWWA C900.
- USE D.I.P., WELDED CML & C STEEL OR CLASS 200 P.V.C. - AWWA C900.
- USE D.I.P., WELDED CML & C STEEL OR CLASS 200 P.V.C. - AWWA C900.



PERPENDICULAR CROSSING